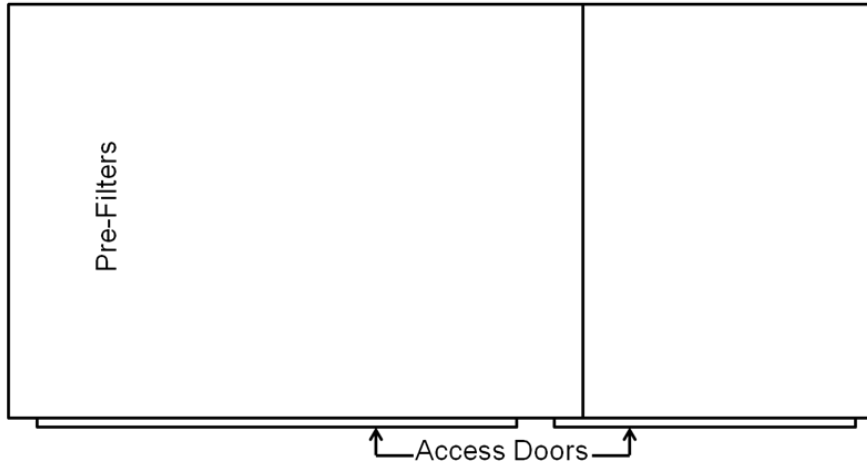
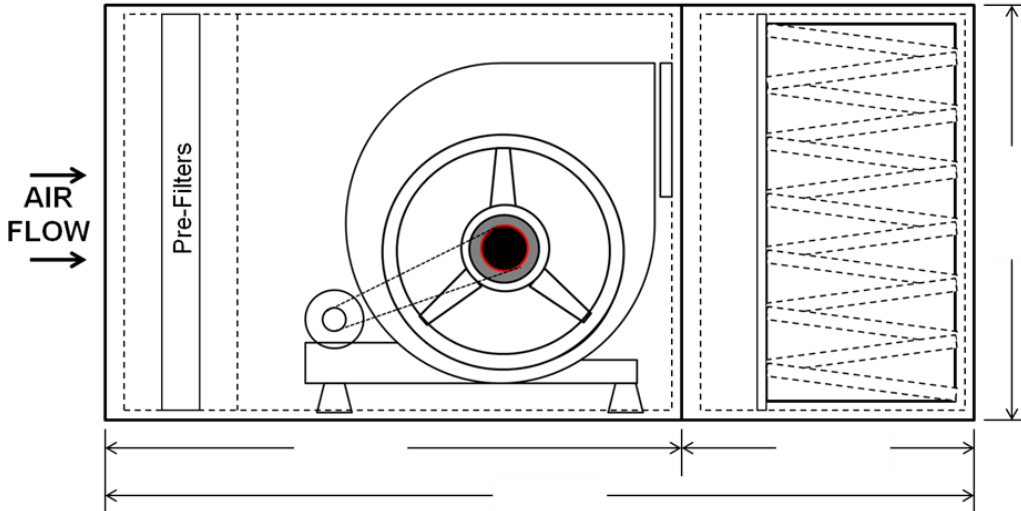


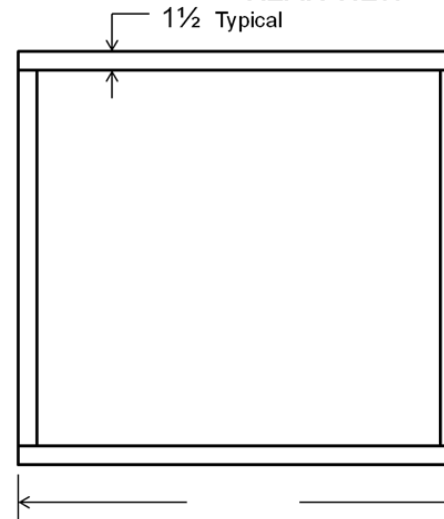
TOP VIEW



SIDE VIEW



REAR VIEW



Side Access Housing

SUBMITTAL

Model "FP"



Project:

HVAC Mech:

Specifications:

Housing: ___ gauge steel fully welded, gasketed access door

Blower: ___ HP, PSC ___ V, ___ Hz,

Capacity: nominal _____ CFM (clean)

Fan Pack Unit:

Filter Schedule

Quantity	Size	Model	Eff.	P. Drop