

Filter Schedule

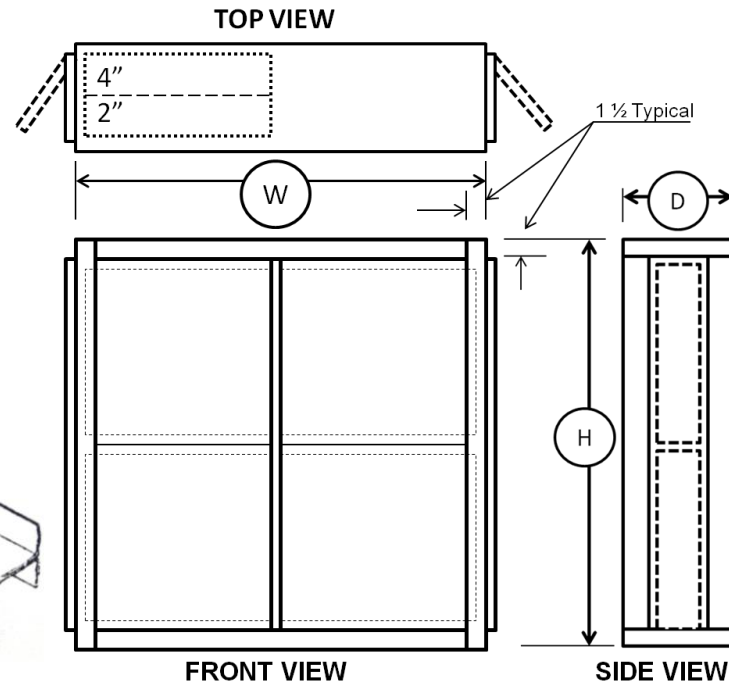
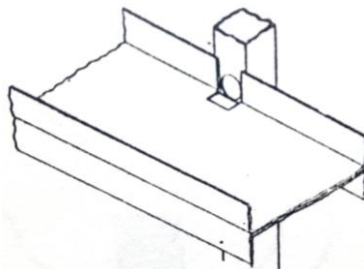
Quantity	Size	Model	Eff.	P. Drop

Options:

- | | |
|---|---|
| <input type="checkbox"/> Stainless Steel Body | <input type="checkbox"/> Painted |
| <input type="checkbox"/> Insulated | <input type="checkbox"/> Weatherproof Cap |
| <input type="checkbox"/> Aluminum Body | <input type="checkbox"/> Moisture Drain |
| <input type="checkbox"/> 200__-AF Gauge | <input type="checkbox"/> 4" Track |
| | <input type="checkbox"/> Other _____ |

Notes:

- Housings are factory assembled and manufactured from 16 gauge welded galvanized steel.
- Standard 2" Filter tracks are made from galvanized steel.
- Housing Weight: _____ lbs. (less filters)
- Housing Depth: __8" __10" Other: _____



Moisture Filter Housing Code

TAG: _____

Width Code (# of filters)	1	1 ½	2	2 ½	3	3 ½	4	4 ½	5	5 ½	6	6 ½	7	
Width Inches (W)	23 3/8	34 ¾	46 ¾	58 1/8	70 1/8	81 ½	93 ½	104 7/8	116 7/8	128 3/8	140 ¼	151 5/8	163 5/8	

Height Code	Height Inches (H)													
½	15													
1	27													
1 ½	39													
2	51													
2 ½	63													
3	75													
3 ½	87													
4	99													

Side Access Housing

SUBMITTAL

Model "FF"



Project: _____

HVAC Mech: _____